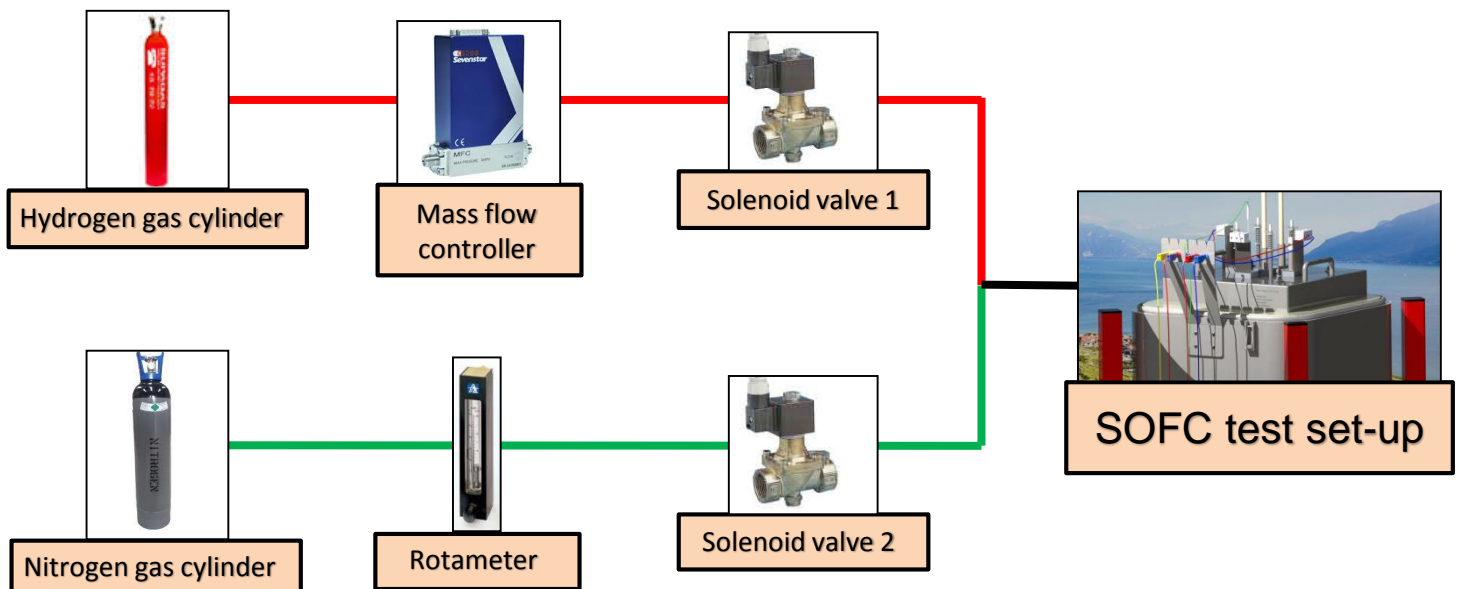
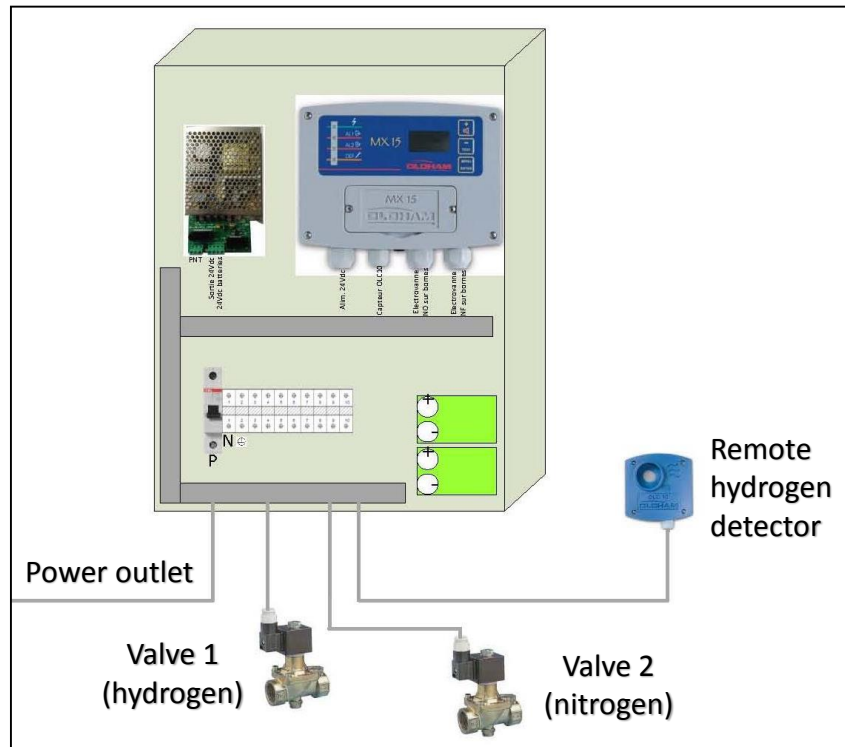


H₂ detection security box



When hydrogen is detected by the detector, valve 1 (hydrogen) is shut down and valve 2 is opened, purging the system with nitrogen, preventing further release of hydrogen.